



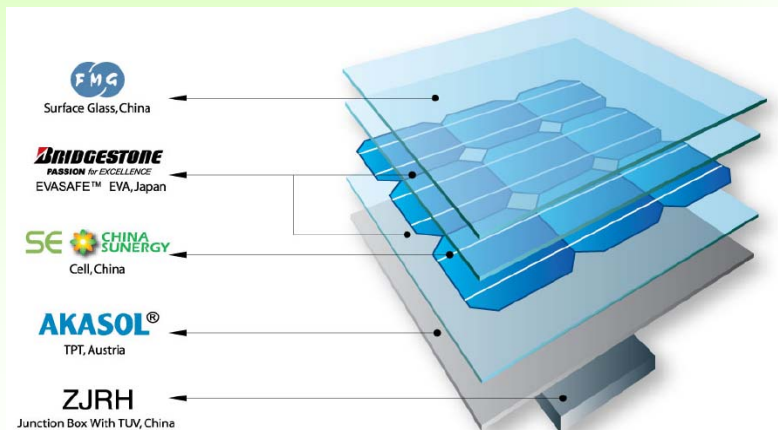
CEEG SST185-72M

Selective Emitter™ Solar Module

**Same module size, 10% more power output!
Best value choice to reach grid parity!**

Features

- High efficiency, up to 10% power output than competing models
- Excellent low-light performance
- Preventing module damage by hot spot/shading effect
- Anti-freezing and warping
- Safe, reliable and durable
- 5-year limited mechanical and workmanship warranty
- 25-year limited power output performance warranty
- CEC listed, UL1703 and TÜV certified
- Multi-purpose for residential and commercial applications



CEEG SST185-72M



ELECTRICAL CHARACTERISTICS

Maximum Power (Pmax)*	185 W
Tolerance of Pmax	+/- 3%
Type of Cell	125x125 mm monocrystalline cell
Cell Configuration	6 x 12 in series
Rated Voltage (Vmp)	35.8 V
Rated Current (Imp)	5.17 A
Open Circuit Voltage (Voc)	44.8 V
Short Circuit Current (Isc)	5.48 A
Module Efficiency (%)	14.5%
Maximum System (DC) Voltage	1000 (IEC) / 600 (UL)
Series Fuse Rating	10
NOCT	45 +/- 2 °C
Temperature Coefficient (Pmax)	-0.47%/°C
Temperature Coefficient (Voc)	-0.37%/°C
Temperature Coefficient (Isc)	0.03%/°C

*Measured at STC: Irradiance 1000W/m², cell temperature 25 °C, AM = 1.5

MECHANICAL CHARACTERISTICS

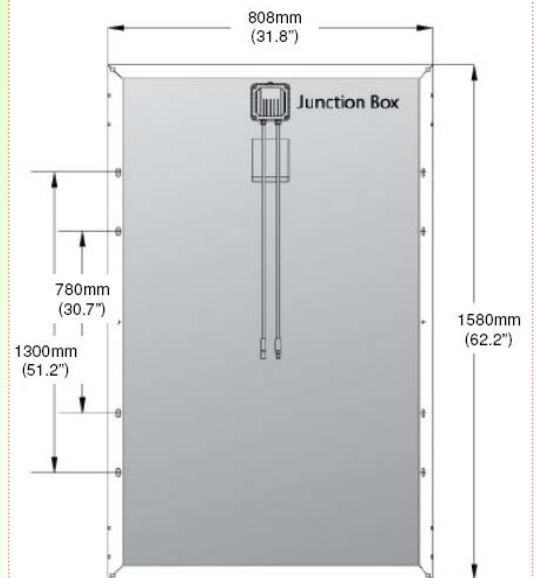
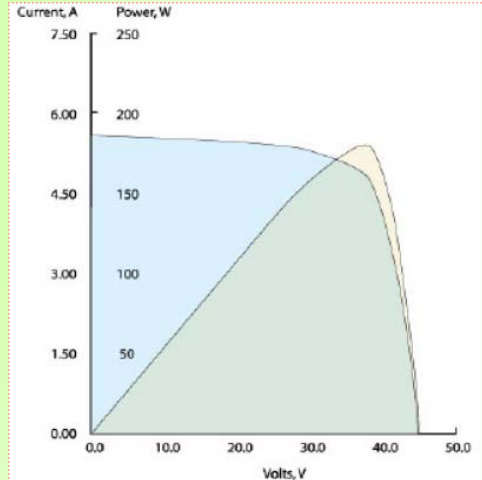
Dimensions	1580x808x50mm (62.2"x31.8"x1.97")
Cable Length	900 mm (35")
Output Interconnect Cable	12 AWG, MC type-4
Front Glass	White tempered glass, 3.2mm (1/8")
Frame	Anodized aluminum
Cell encapsulation	EVA
Back	Composite film
Weight	16 kg (35.2 lbs)
Max Load	2,400 Pascals per IEC61215
Impact Resistance	Hail diameter 25mm (1") at 23 m/s (52 mph)

QUALIFICATIONS

Certified to IEC61215, IEC61730, and UL1703; CEC listed

Fire Rating Class C

Certified to ISO9001:2000 quality management; ISO14001 environment management; and OSHMS18001 occupation safety and health management



For more information, please contact **WholeSolar LLC**, PO Box 178799 San Diego, California 92177

Email: sales@whole-solar.com; Tel: +1.760-505-0054; Website: www.whole-solar.com